

PROJECT LEAD THE WAY

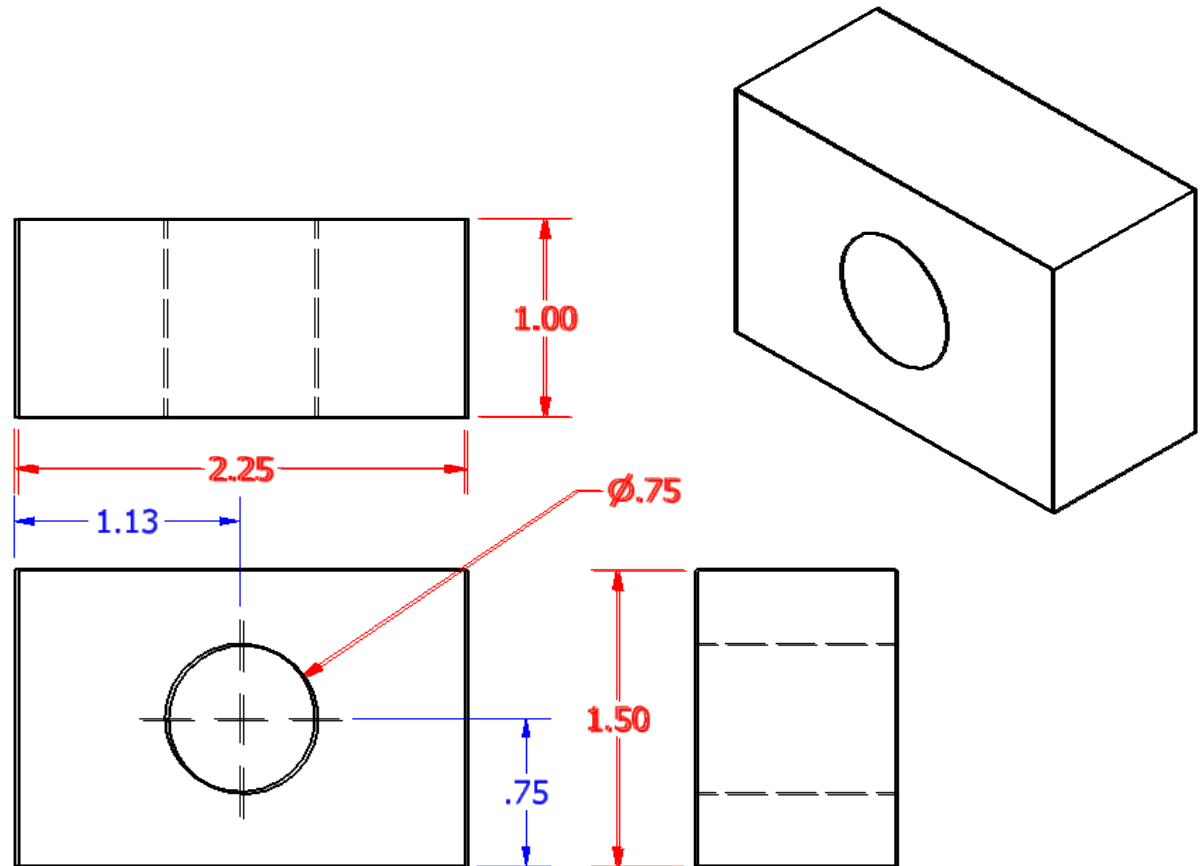
PLTW

Dimensioning

Why Dimension?

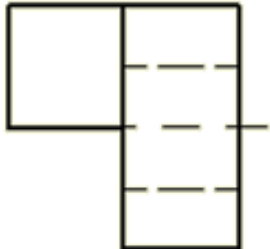
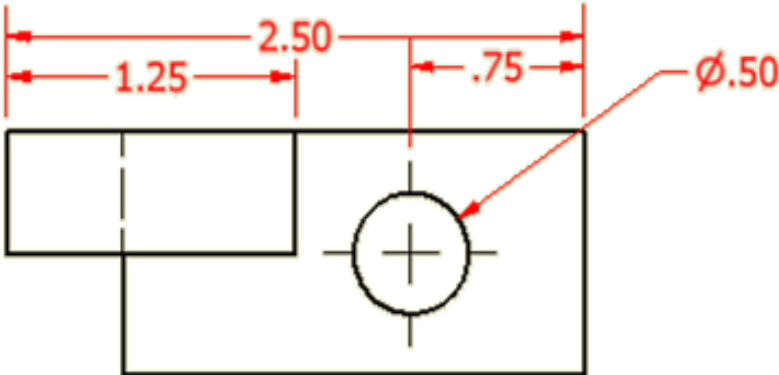
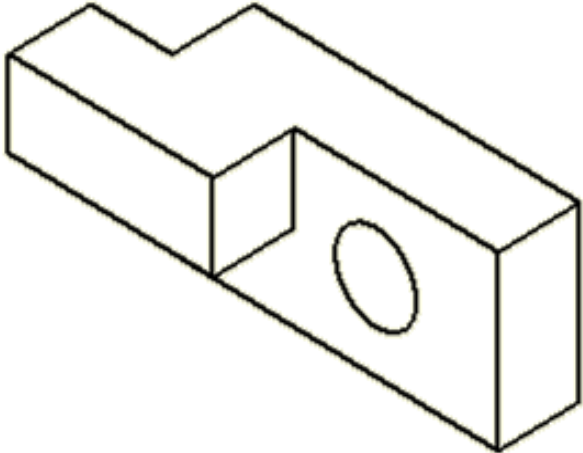
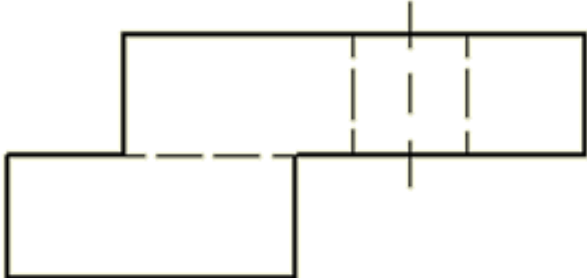
Engineers, designers, and engineering technologists need to know

- Size
- and
- Location
- of all features



Dimension Completely

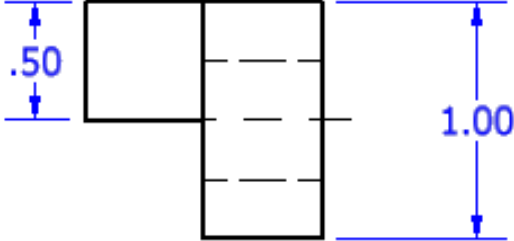
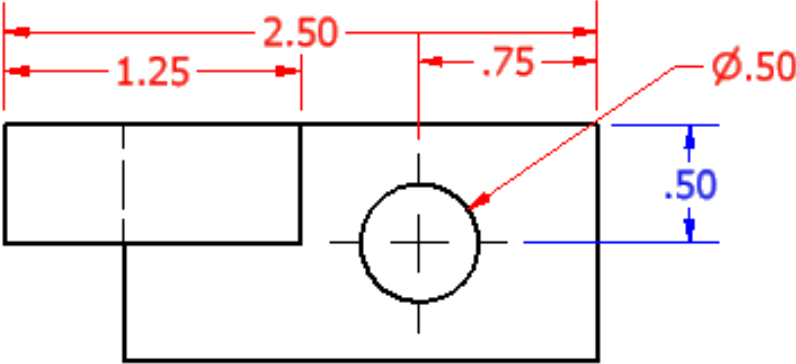
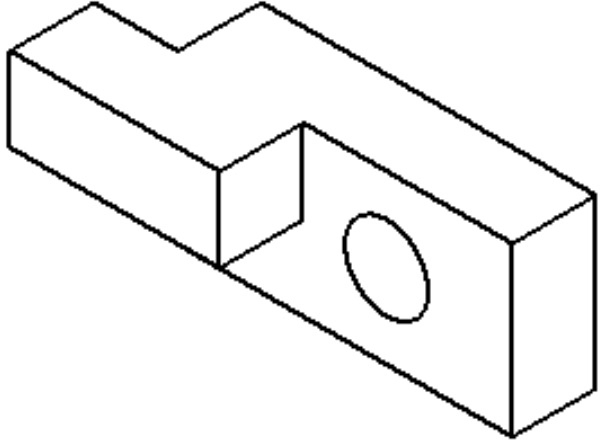
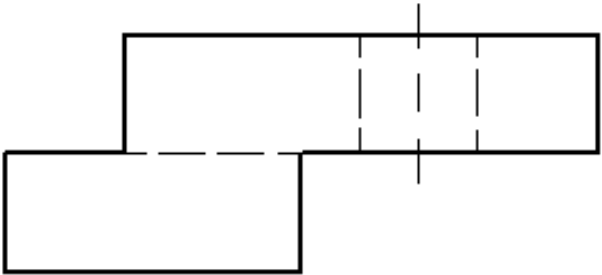
Width



Dimension Completely

Width

Height

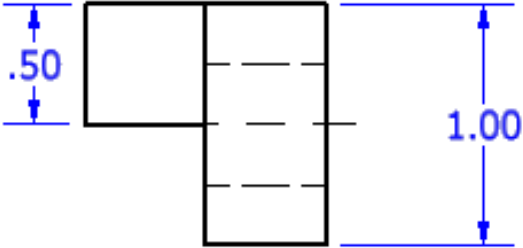
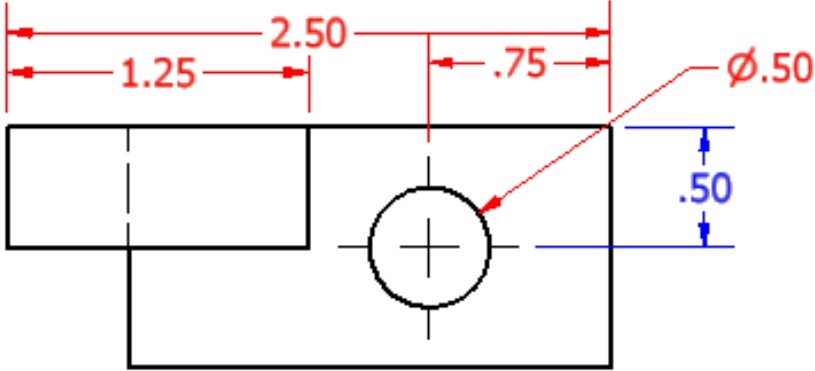
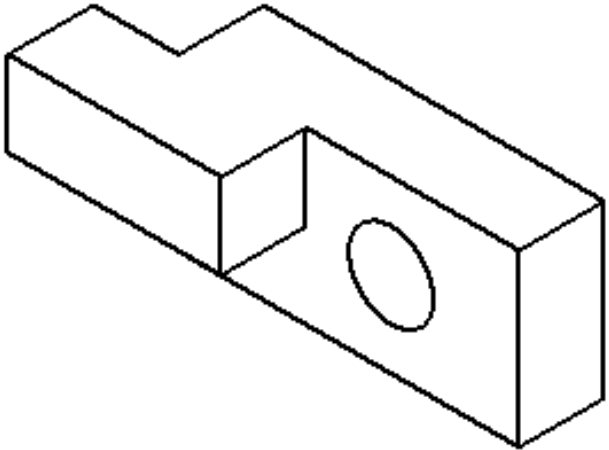
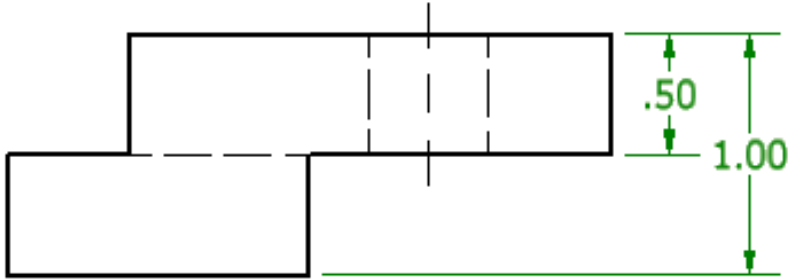


Dimension Completely

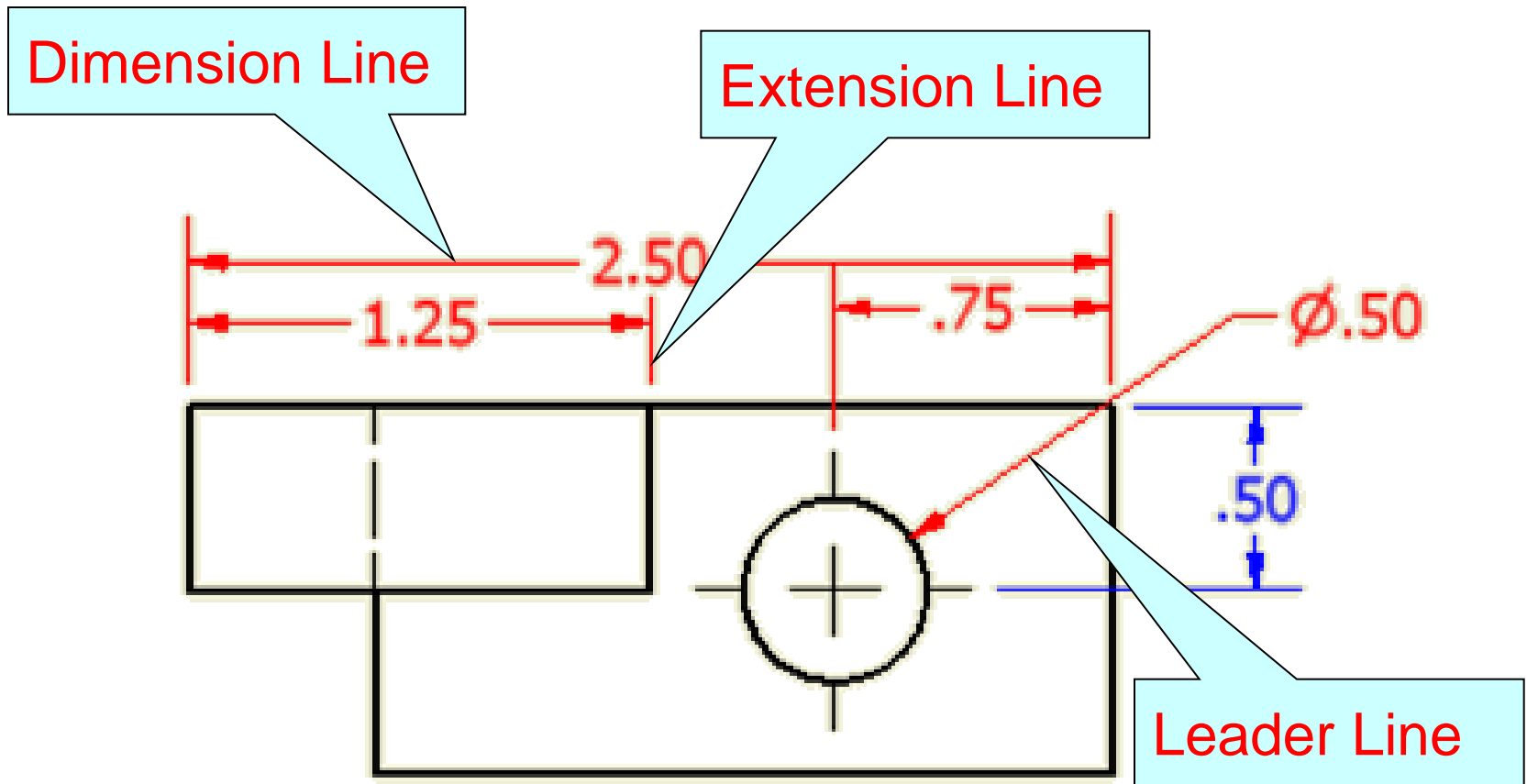
Width

Height

Depth

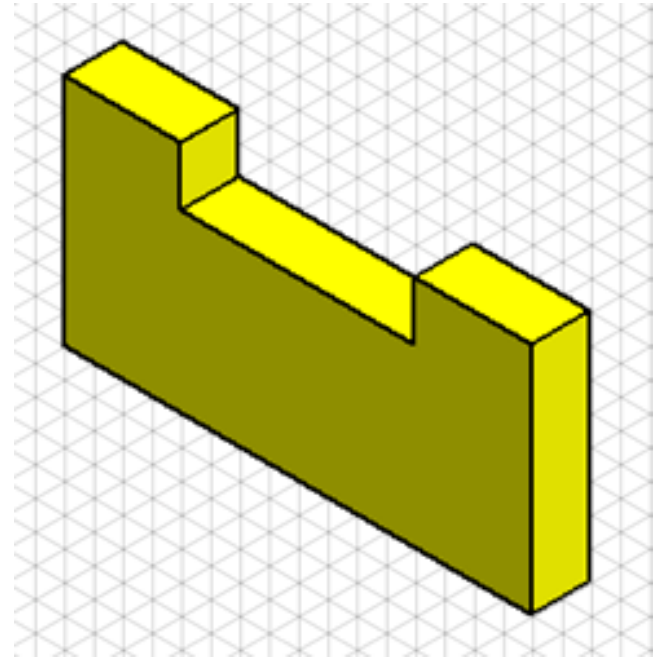
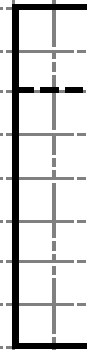
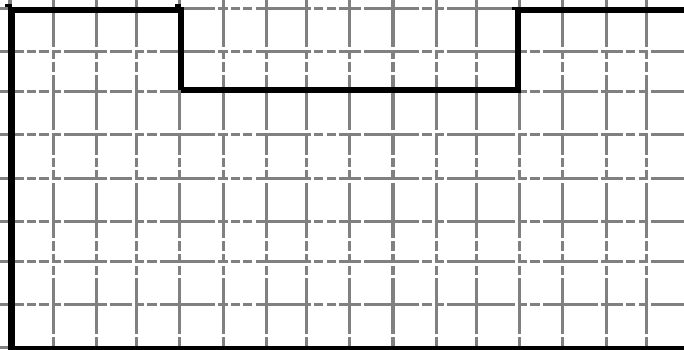
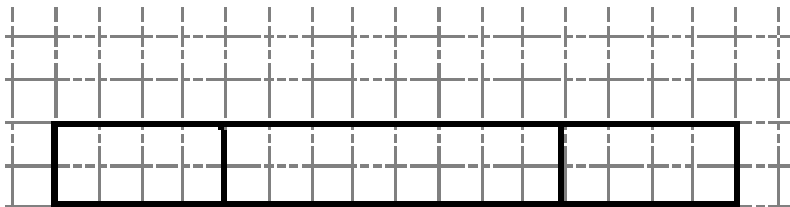


Dimension Line Types

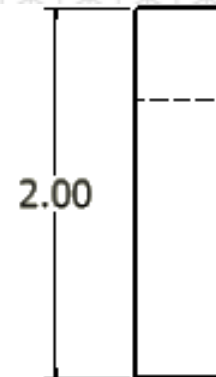
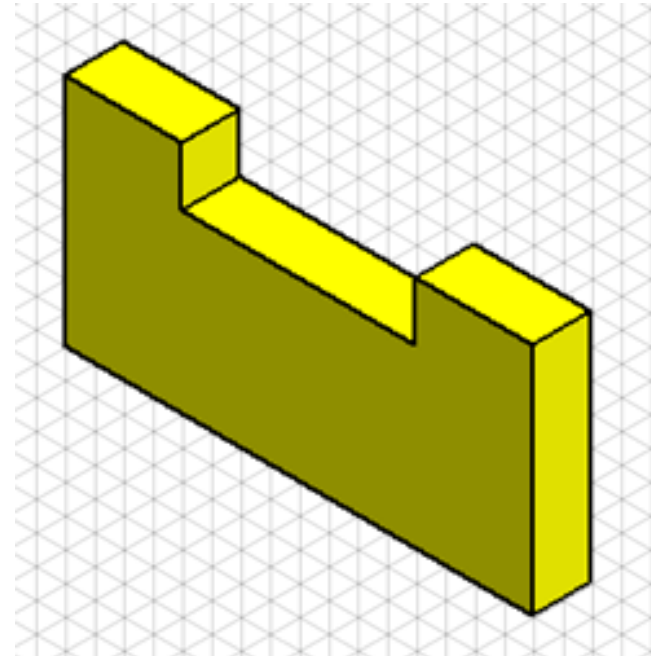
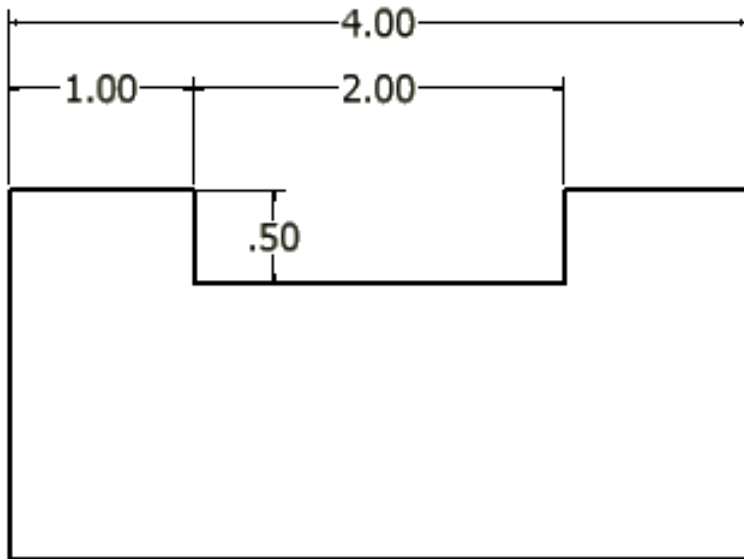
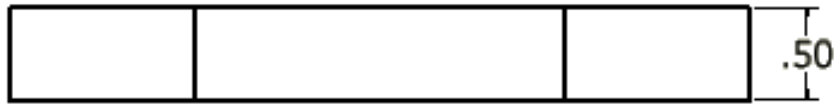


Your Turn to Practice

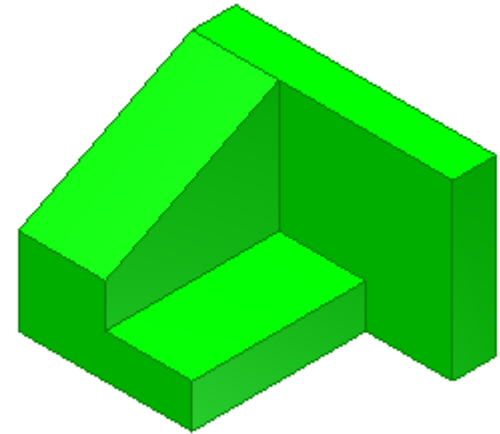
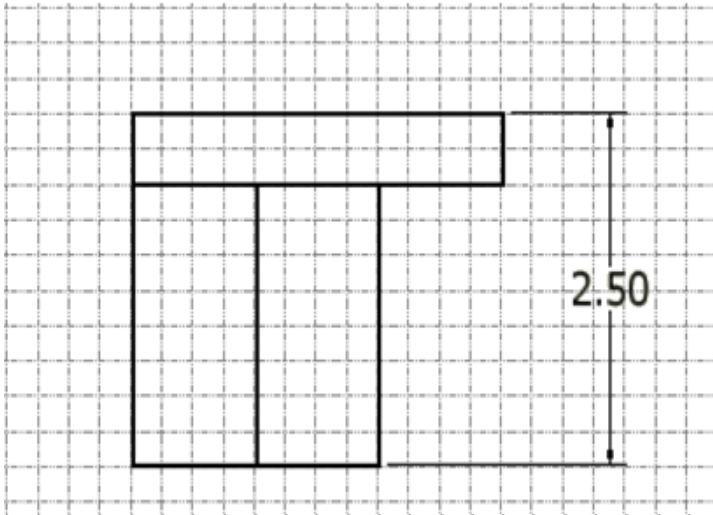
$\frac{1}{4}$ in. scale or 4 squares = 1 in.



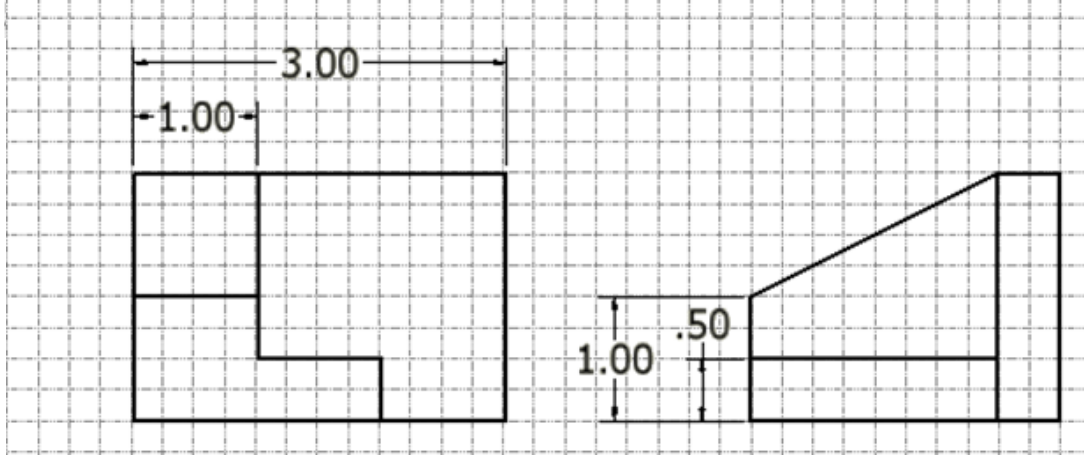
Check Your Answers



Where are the Missing Dimensions?



$\frac{1}{4}$ in. scale or 4 squares = 1 in.



Here They Are

